



Safety Instructions and Warning Information

WARNING

Read and observe the following safety guidelines and product warnings when using Column Claw (models CCW1/CCW2). Alterations, abuse, or misuse of this product could result in serious injury or death. Local, State, Federal laws may require that the user be properly trained before using this product. Use with ANSI/OSHA compliant personal fall arrest or restraint components. Device must be inspected before each use. All devices subjected to fall, or other damage, must be removed from service immediately.

Column Claw meets: ANSI Z359.1, ANSI Z359.3, OSHA 1926.502

Weight Capacity. The user weight capacity is 400 lbs when used as a single point anchorage connector for personal fall arrest or restraint system. This includes the combined weight of the user and all of the user's equipment and accessories.

Use with our Column Climber/T-Lanyard as part of our CCOX Combo. Column Claw is specifically designed for use with our Column Climber/T-Lanyard combo to permit ascending/descending a column or to permit "hands-free" work as a personal work platform. Note: ALL components of a fall arrest or restraint system should be inspected for wear or damage prior to and during use. In the event of any wear or damage to any system components, the user should immediately discontinue use. To order our Column Climber and/or T-Lanyard, visit www.column-climber.com

Visually Inspect. Confirm Operation. All users should visually inspect and then try Column Claw while on the ground first to confirm and understand its proper functioning, and to become familiar to the capabilities provided by the device.

Note: In order for Column Claw to work as designed, the Adjustable Claw portion must always be on the left side of the column on which it is mounted.

1. Visually inspect product thoroughly before each use to ensure that there is no damage, deformation, excessive wear or malfunction to avoid prevent use.
2. Confirm Operation by sliding the Adjustable Claw back and forth along the Slidebar, checking to ensure that the latch functions freely, fully engages the notched Slidebar, and securely "locks" the Adjustable Claw in the desired position.
3. Confirm that no parts are damaged, deformed or missing. (This includes rivets, latch, end stop, etc.)
4. Try Column Claw while standing on the ground to confirm proper function.

Maintenance, Cleaning & Storage. Prolong device life and function by cleaning as needed and storing and maintaining properly. Clean with compressed air/ or brush and mild soap and water solution. Dry afterward. Oil latch spring lightly if necessary. Do not subject device to, or store with, corrosive elements. Do not store outdoors. User should NEVER attempt to service device. Service must be performed by the manufacturer only.

Fall Protection Compliance. Fall Protection requirements vary depending geographic location and sometimes by trade. Column Claw must be used in compliance with locally instituted fall protection standards. The user is responsible for compliance with and application of the regulations that apply to his/her specific location and trade. For specific information on fall protection requirements, please contact the regulatory agency applicable to your geographic territory.

Specifications.

- Tensile Strength: 5000 lbs min
- Max Capacity: one worker, maximum weight 400lbs when used as a single-point anchorage connector for personal fall arrest or restraint system.

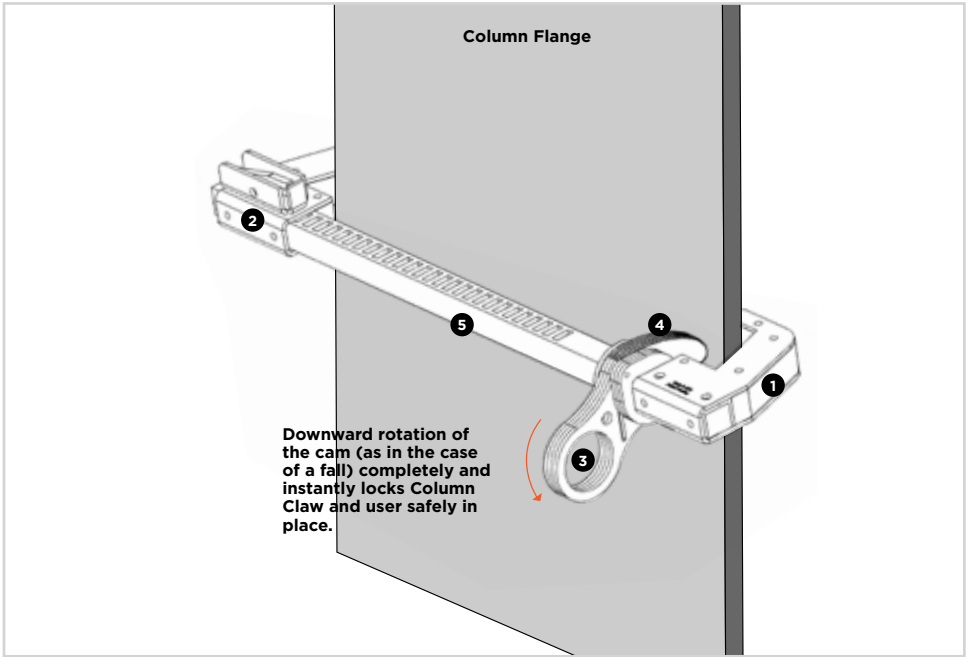
Materials: Aluminum, Stainless Steel, Zinc-plated Steel

Flange Capacity.

- CCW1 flange capacity: 14" length x 1-7/8" thick
- CCW2 flange capacity: 17" length x 1-7/8" thick



100% TIE-OFF 2 FT FALL ARREST



Installation/Use.

1. Locate a structural steel column flange capable of withstanding a 5000lb static load or meeting OSHA 1926.502 requirements for a safety factor of two.
2. Attach the Column Claw to the flange facing the user by adjusting the device open far enough so that the Fixed Claw **1** and the Adjustable Claw **2** fit over the flange sides. Always make sure the Adjustable Claw is located to the left side of the column on which it is mounted.
3. Lift up on the Snap Hook Connector Hole **3** of the spring-loaded Cam **4** so that the Cam teeth rotate downward and push the entire unit toward the column so that the Slidebar **5** is close to the face of the column. At the same time, slide the Adjustable Claw portion toward the Fixed Claw so that both claws of the device snugly and firmly close around and hook behind the column flanges.
4. Release the spring-loaded Cam to ensure positive engagement of Cam teeth with the face of the column.
5. Attempt to move Column Claw side-to-side, up and down, and visually inspect that Claws are properly adjusted so that the device cannot become dislodged from the column flanges either while stationary or while moving.
6. Once in place, Column Claw can be moved up the column by sliding the unit upward.
7. To descend, lift up, as necessary on the Snap Hook Connector Hole of the spring-loaded Cam to release Cam tension on the column face. Release the Cam to re-engage.
8. Follow the reverse order to remove the Column Claw from the column.

NOTE: Downward motion of the Snap Hook Connector Hole of the spring-loaded Cam (as would be the case in a fall scenario) will instantly increase the frictional engagement of the Cam teeth to the face of the column and "lock" the unit from moving downward.